

Adventurer 3 Pro

Desktop Minimalist 3D Printer



Allocated with fully upgraded patented extruder assembly, steady filament loading structure, turbofan and air guide, the printing result of Flashforge Adventurer 3 Pro is greatly improved. Ready-to-use and Non-leveling design avoid imprecise printing from improper leveling operation.



- Simplized, portable and compact design
- **Stainless Nozzle:** detachable buckle design, easy installation
- Auto filament feeding with an enclosed built-in filament cartridge
- Glass build plate
- 45 Decibel, ultra quiet during operation
- Built-in 2 million pixel WiFi HD camera for remote monitoring
- 3D Cloud for remote control
- One spool of filament is included

Redesigned from the ground up, the new extrusion system takes the hassle out of every element of printing!



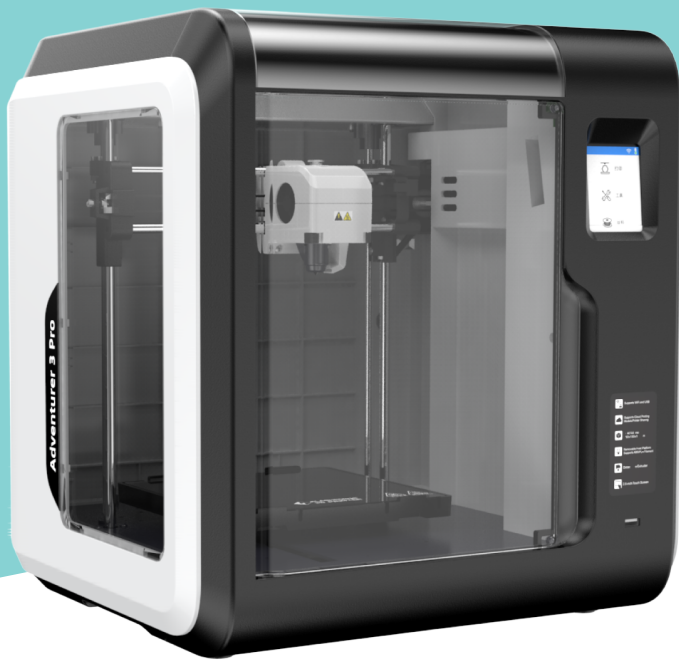
Heating up to 200 degrees in 60 seconds.

Swap out the complete nozzle in seconds thanks to a new hot swappable design, with an inbuilt heating cartridge and thermistor.

Surrounded by a plastic shell to protect your hands, the nozzle can be replaced faster than any other printer.

265degree extruder supports PLA/ABS/PC/PETG/PLA-CF/PETG-CF and other filaments.

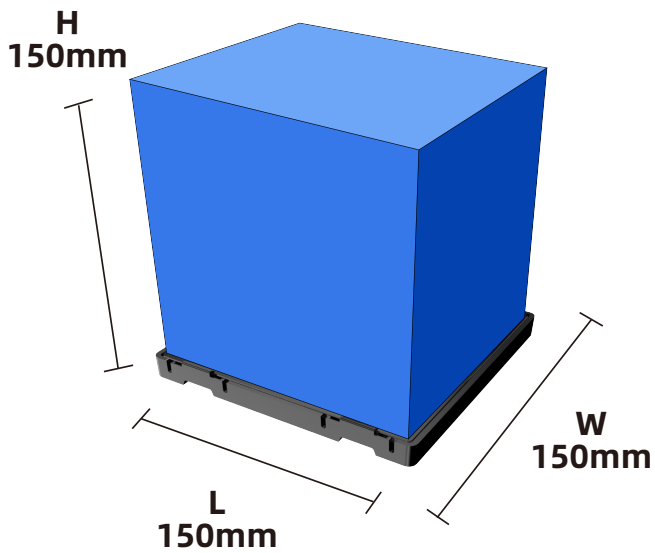
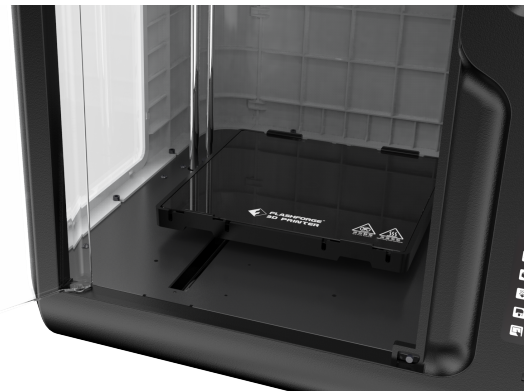




glass build plate

Smooth and flat platform which is easy to remove models.

Smooth and flat surface, remove models easily, saving time and energy!

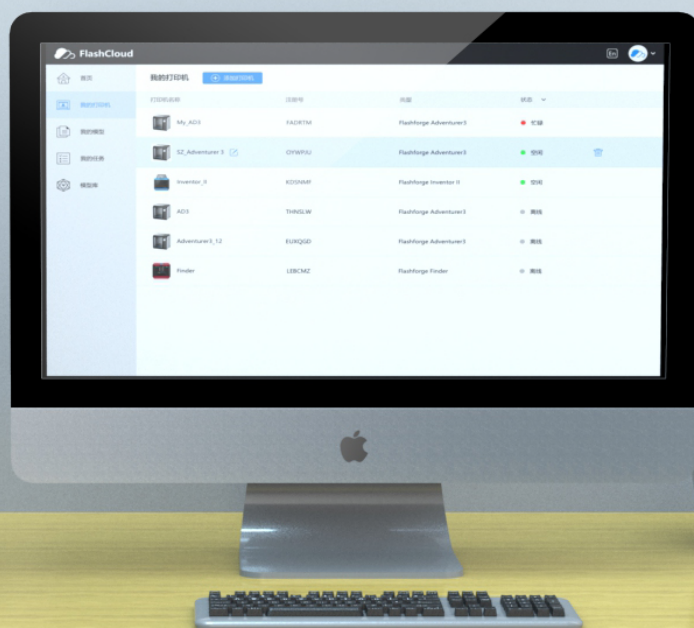
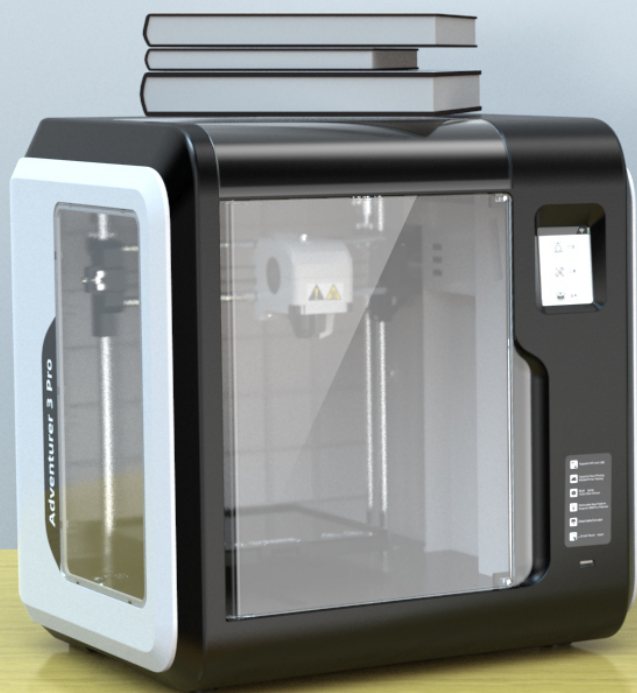


Full Colour Touch Screen

Integrated menu relieves you from endless scrolling with a giant knob. Everything becomes touchable and clarity, dancing at your fingertips.



<45dB Ultra quiet during operation



3D Print from the Cloud

3D Cloud, is an integral 3D printing sourcing platform, with free storage (register online), sharing/downloading files, interacting with each other, automatic file slicing and accessible model database; also available for online management - transfer, monitor and control multiple printers simultaneously.

FlashCloud

AD3 Pro Busy

Motos

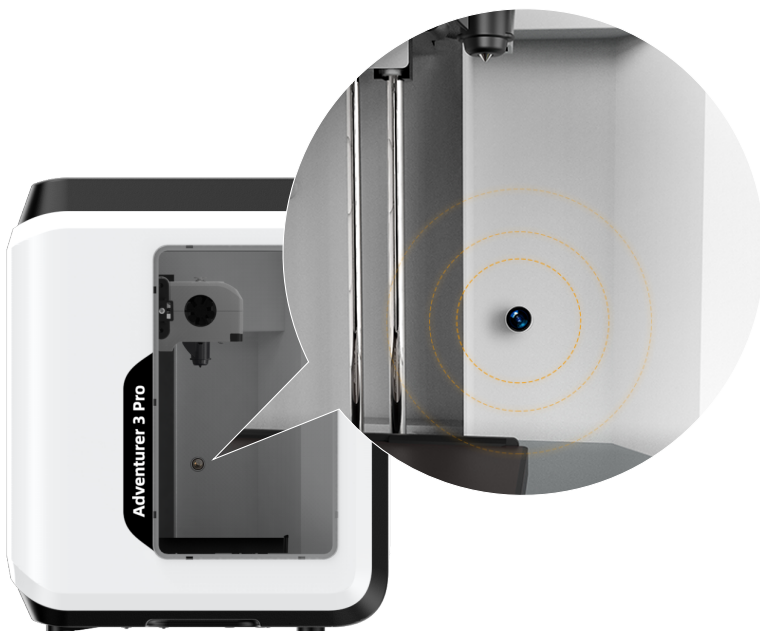
Remaining time
2 h 39 min
0.18%

195°C/195°C 50°C closed normal

Pause Cancel

Print queue (5)

Job Name	Status	Time	User	Date
Motos	Printing	2 h 39 min	Anna	2017-08-08 13:25
xiaoxiong	Queuing	5 h 28 min	zhangsan@sz3dp.com	2017-12-28 16:28
zhangyutongtong	Queuing	56 min	Anna	2017-08-08 13:25



Access the camera from FlashCloud, with no specialised software required, and enjoy your prints from right next to the machine.

PRINT

Extruder number:	1
Extruder diameter:	0.4mm
Highest set temperature of extruder:	265°C
Build volume:	150*150*150mm
Print speed:	10-100mm/s
Highest set temperature of platform:	100°C

DEVICE

Printer volume:	388*340*405mm
Screen:	2.8-inch Touch Screen
Net weight:	9kg
Input:	100-240 VAC,47-63Hz
Power:	150w
Internal storage:	8G
Spool:	52mm

COMMUNICATION

Data transmission:	USB stick,Wi-Fi,Ethernet,FlashCloud,PolarCloud
Software:	FlashPrint
Output:	GX/G files
Input:	3MF/STL/OBJ/FPP/BMP/PNG/JPG/JPEG files